

CoBox™ Mini

Universal Thin Servers



CoBox Mini Universal Thin Servers

The Lantronix® CoBox Mini Universal Thin Server is a board-only server which provides OEM customers with the means to network-enable their products. The CoBox Mini is small enough (7.0 cm/2.76 inch x 8.0 cm/3.15 inch x 1.0 cm/.4 inch) to fit into most any product or to be easily designed in as an attachment to a PCB board design. OEM customers can order the CoBox Mini in a wide variety of custom configurations for Ethernet or Token Ring networks. The CoBox Mini supports the same IP protocol stack found on the other Lantronix CoBox products.

- Easily network-enable any product
- Flexible, well-developed IP protocol stack
- Custom protocol support available
- Ethernet (10BASE-T or AUI) and Token Ring (STP/UTP) models available
- TTL data interface
- Accepts 5V regulated input power
- Serial, Telnet and SNMP management
- Flash ROM for easy software upgrades
- 5 - year warranty



Product Specification

PROTOCOLS SUPPORTED

IP: ARP, UDP, TCP, SNMP and TFTP

COMPATIBILITY

Ethernet: Version 2.0/IEEE 802.3
Token Ring: IEEE 802.2 LLC

NETWORK INTERFACE

RJ45 (10BASE-T) or AUI Ethernet
(transformer and resistors/capacitors required)
STP (SubD9) or RJ45 Token Ring
(4/16Mbit ring speed - selectable)

SERIAL INTERFACE

TTL serial interface
Reset line
RxD/TxD
DTR line (for disconnect)
Three status lines (can drive LEDs)

DATA RATES

300bps to 38.4Kbps

SERIAL LINE FORMATS

Characters: 7 or 8 data bits
Stop bits: 1 or 2
Parity: odd, even, none

MODEM CONTROLS

DTR (TTL level)

FLOW CONTROL

XON/XOFF
None

MANAGEMENT

SNMP (read only)
Serial login
Telnet login

SYSTEM SOFTWARE

Flash ROM standard: new software can be downloaded from a TCP/IP host (TFTP) or over serial port

DIAGNOSTIC LEDs

Transmit Data
Receive Data
Good Link

POWER REQUIREMENTS

5V regulated
250mA (Ethernet models)
800mA (Token Ring models)

ENVIRONMENTAL

Operating Temperature: 5 to 50C (41 to 122F)
Storage Temperature: -40 to 66C (-40 to 151F)

WARRANTY

5-year limited warranty

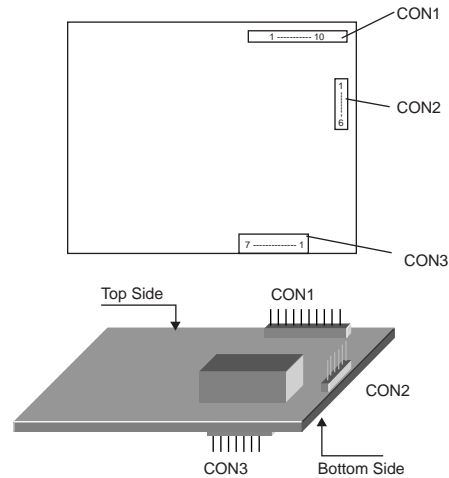
PHYSICAL DIMENSIONS

7.0cm (2.76 in) x 8.0cm (3.15 in) x 1.0cm (.4 in)

ORDERING INFORMATION

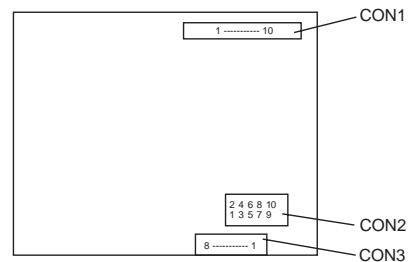
Contact Lantronix OEM Sales for ordering information

PINOUTS FOR ETHERNET



TTL		Ethernet	
Pin	Con1	Pin	Con3
1	+5V	1	Tx+
2	GND	2	Tx-
3	RxD (out)	3	Rx+
4	TxD (in)	4	Rx-
5	Reset	5	nc
6	DTR	6	LED (Link)
7	LED1	7	+5V (LED)
8	LED2		
9	LED3		
10	+5V (LEDs)		

PINOUTS FOR TOKEN RING



TTL		STP		UTP	
Pin	Con1	Pin	Function	Pin	Function
1	+5V	1	RS-	1	NC
2	GND	2	RS+	2	NC
3	RxD (out)	3	GND	3	TU+
4	TxD (in)	4	GND	4	RU+
5	Reset	5	+5V	5	RU-
6	DTR	6	GND	6	TU-
7	LED1	7	GND	7	NC
8	LED2	8	TS-	8	NC
9	LED3	9	TS+		
10	+5V (LEDs)				